

Microframe Corporation

Series 3500:

The MultiPage System



Operating Manual

B3010-7013





SERIES 3500
The MultiPage System

INSTALLATION & SPECIFICATION GUIDE

ITEM NO: B3010-7013
REVISION DATE: 06/09

Microframe Corporation
604 S. 12th Street
Broken Arrow, OK 74012

Tel: (918) 258-4839
Toll Free: 1-800-635-3811
Website: www.microframecorp.com
E-mail: support@microframecorp.com

Limited Warranty Agreement

Your Microframe System is warranted against failure due to defects in workmanship or material for a period of one (1) year from the date of purchase. Microframe Corporation will repair or replace any defective unit. Obvious abuse or mishandling of the unit is NOT covered by this warranty.

Merchandise Return

If your Unit does not work satisfactorily, please give us a call. We may be able to solve the problem by phone. If it becomes necessary to return your Unit to the factory, please observe the following:

1. Place Unit in a sturdy box with sufficient packing material.
2. If requested, include the power adapter.
3. Return the system insured and prepaid since we are not responsible for shipping damages and losses on returned Units.

Warranty Service

For warranty service, please contact Microframe at 1-800-635-3811. A tech will gladly assist you.

Assistance

For any product assistance or maintenance help, contact Microframe by either calling 1-800-635-3811 or emailing us at: support@microframecorp.com.

Warranty Exclusion

Do not install substitute parts or perform any modification to the product without first contacting Microframe.

Warning

All power adapters, line cords, and electrical equipment should be kept out of the reach of children and away from water.

Life Support Policy

Microframe's products are not authorized for use as components in life support devices or systems without the express written approval of the president of Microframe Corporation. As used herein:

1. Life support devices or systems are defined as systems which support or sustain life, and whose failure to perform when properly used in accordance with instructions for use provided in the labeling, can be reasonably expected to result in a significant injury to the user or anyone depending on the system.

2. A critical component is any component of a life support device or system whose failure to perform can be reasonably expected to cause the failure of the life support device or system, or to affect its safety or effectiveness.

Disclaimer

We are constantly striving to improve our products. Due to this, specifications are subject to change without notice.

Nomenclature

In this manual, use this nomenclature to distinguish between buttons, functions, messages, and things:

"SEND"	= is a button that is pressed
"ENTER"	= is a button that is pressed
"CANCEL"	= is a button that is pressed
send	= a verb used in text
enter	= a verb used in text
"ON"	= turn something "ON" or
"OFF"	= turn something "OFF"
Pager(s)	= noun or object
Display(s)	= noun or object

TABLE OF CONTENTS

1 MULTIPAGE SYSTEM OVERVIEW.....	6
1.1 MultiPage Transmitter	6
1.2 Wireless UHF Displays	6
1.3 The Informant	6
1.4 Paging Vibrating Pagers	6
MULTIPAGE SPECIFICATIONS.....	7
2 MULTIPAGE OPERATION.....	9
2.1 Installation.....	9
2.2 Operation.....	9
2.3 Configuration	9
2.4 Hymn board setup	10
UHF DISPLAY SPECIFICATIONS.....	11
3 WIRELESS UHF DISPLAY.....	12
3.1 Installation.....	12
3.2 Operation.....	12
3.3 Configuration	12
3 WIRELESS UHF DISPLAY.....	13
INFORMANT SPECIFICATIONS.....	14
4 INFORMANT.....	15
4.1 Installation.....	15
4.2 Operation.....	15
4.3 Configuration	15
POCKET PAGER SPECIFICATIONS.....	16
5 POCKET PAGER.....	17
NEXUS PAGER SPECIFICATIONS.....	18
6 NEXUS PAGER.....	19
SLIMLINE PAGER SPECIFICATIONS.....	20
7 SLIMLINE PAGER.....	21
AFFINITY PAGER SPECIFICATIONS.....	22
8 AFFINITY PAGER.....	23

1 MULTIPAGE SYSTEM OVERVIEW

With the MultiPage Transmitter, you can send numbers to UHF **Displays**, page Vibrating **Pagers**, and control the **Informant** (signal light). A MultiPage system is defined as one MultiPage Transmitter and any combination of these receiver types.

1.1 MULTIPAGE TRANSMITTER

The MultiPage Transmitter is a unique Transmitter that facilitates the use of UHF **Displays**, **Pagers** and **Informants**. Based on the superb hardware platform of the Scope DataPage Lite, the MultiPage is a Microframe software upgrade designed as the ultimate paging solution.

1.2 WIRELESS UHF DISPLAYS

The new 3500 Series Wireless UHF Displays have been specifically designed to receive signals from the MultiPage Transmitter. These Displays come in 2-, 3-, 4- and 6-digit models with 5.5-inch numbers. They contain the same high quality construction and components expected from Microframe's products and Displays.

Numbers sent to the UHF Display will be saved and displayed on both the MultiPage and the UHF Display until deleted. These numbers can be deleted manually or programmed by the user to automatically delete, depending on the user's preference.

1.3 THE INFORMANT

The Informant can be set to respond to any "Pager address." Using the message portion of a page, the user can control which lights, or combination of lights are on.

The Informant has been designed specifically for use by children's ministries in churches. The Informant receives its control signals directly from the MultiPage, DataPage Lite, or DataPage II Transmitter. The Informant is used to alert children's ministry workers when the service is ending. A green light indicates the service is in progress; a yellow light indicates the service is beginning to close; a red light indicates the service has closed; and a blinking red light indicates the service has been dismissed.

1.4 PAGING VIBRATING PAGERS

The MultiPage can be used to send messages to Pagers or to trigger the internal "beep type" messages of Pocket Pagers. In addition, the MultiPage Transmitter can re-page Pagers at user-defined intervals. The list of Pagers to be re-paged is displayed on the MultiPage Transmitter screen.



MULTIPAGE SPECIFICATIONS

On-Premise Paging

Features

The MultiPage Transmitter can be used to transmit to the following receivers: The Wireless UHF **Display**, Vibrating **Pagers**, and the **Informant**. The MultiPage LCD screen displays two lists: The first list consists of the numbers being shown on the UHF Wireless Display. The second list shows the Pagers waiting to be re-paged.



MultiPage Transmitter

Operation

Simply plug the power adapter into the back of the MultiPage and it is ready to use. To enter a number on the Wireless UHF Display, type the number and press "**ENTER**." To send a page to a Vibrating Pager, type the number of the Pager you wish to page and press "**SEND**," then follow the on-screen prompts. To remove numbers from the Wireless UHF Display, press "**CANCEL**," then type the number you want to remove and then press "**ENTER**." To remove numbers from the vibrating re-paging queue, press "**CANCEL**," then type the Pager number followed by "**SEND**."



MultiPage Specifications

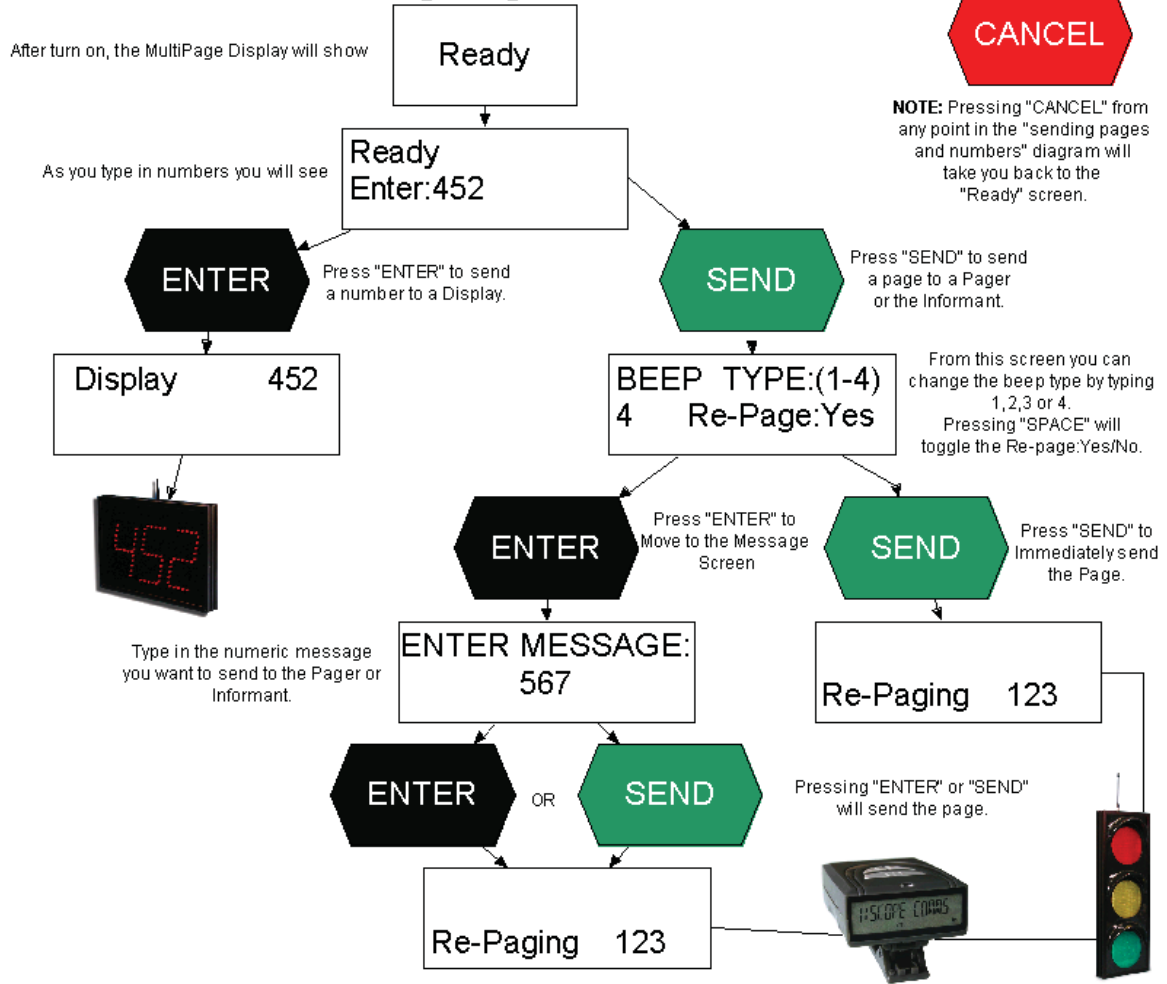
Dimensions.....	9" x 7.25" x 1.75"
Frequency.....	457.575 MHz
TX Baud Rate.....	512 or 1200
Distance Range.....	1/4 to 1/2 Mile Indoors
FCC Approval No.....	JRNUSASERILINK
Mounting.....	Flat surface
Maximum Numbers shown on Display.....	20
Maximum Pagers in Re-Page Queue.....	30
Auto Delete Time.....	0-25 minutes(user-selectable)
Roll Over Time.....	0-9 seconds (user-selectable)

Support and Sales
800-635-3811

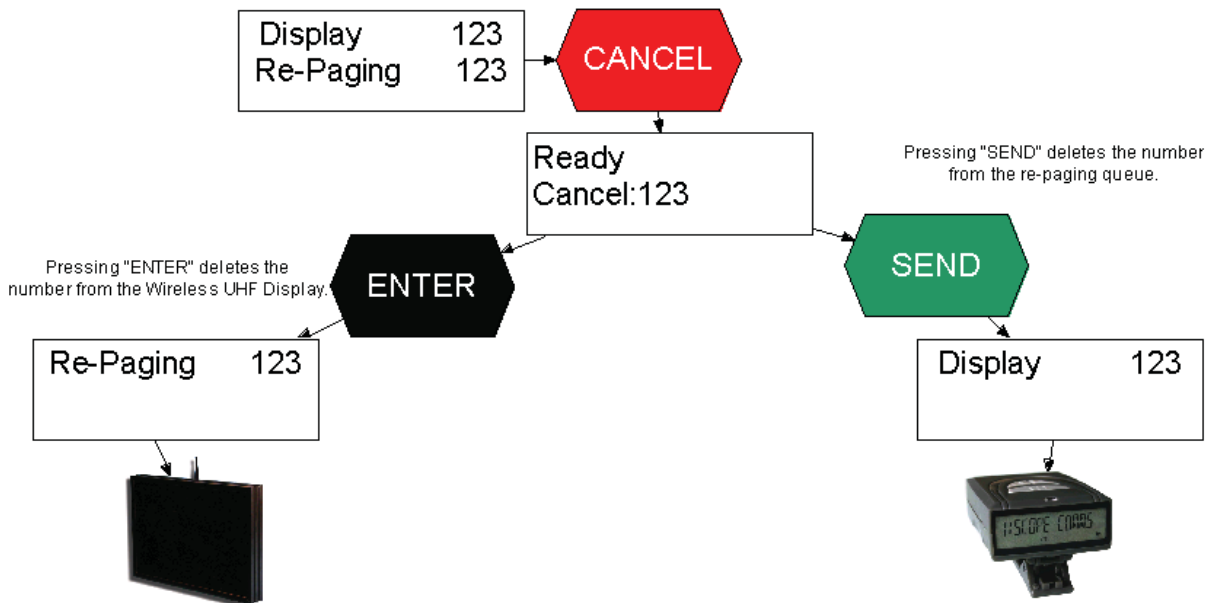
Microframe® Corporation
www.microframecorp.com

PO Box 1700
 Broken Arrow, OK 74013

Sending Pages and Numbers



To cancel a re-page or a displayed number



2 MULTIPAGE OPERATION

2.1 INSTALLATION

The MultiPage Transmitter is designed to set on a flat surface or table top or installed on a mounting wedge for an angle or wall mount. To use the Transmitter, simply plug the 12-volt DC power adapter into the back of the MultiPage and then plug the adapter into the wall. The MultiPage Transmitter is now ready for use.

2.2 OPERATION

The MultiPage has three primary operations: One is to send numbers to Wireless UHF Displays, to page Vibrating Pagers and to page the Informant. The "ENTER" key is associated with Wireless UHF Display functions. The "SEND" key is associated with Vibrating Pagers and the Informant. The following examples explain each of these functions.

2.2.1 Transmitting to UHF Wireless Displays

To send a number to a Display, simply type the number that you want to display, i.e. "1234" and then press "ENTER." To delete a number from the Display, press "CANCEL," then type the number, i.e. "1234" then press "ENTER."

2.2.2 Transmitting to Vibrating Pagers

To send a page to a Vibrating Pager (i.e. pager #4), type the pager number "4" then press "SEND." You will then be prompted for the beep type. Different beep types can display up to three different factory programmed text messages on the Vibrating Pager such as:

"COME NOW"
 "NEED HELP"
 "CHILD FINE"

Type in the desired beep type, or press "ENTER" to accept the default. Pressing "SEND" from the beep type screen will page the Pager with a blank message. From the message screen you can type in the numeric message, i.e. "911" and then press "ENTER" or "SEND" to send the page to the Vibrating Pager. If re-page is "ON," you will see the message re-paging on the bottom line of the Transmitters display, followed by the number of the Vibrating Pager that you just paged. To stop the re-page of a Vibrating Pager, press "CANCEL" then type the number of the Vibrating Pager, i.e. "4" and then press "SEND."

2.2.3 Transmitting to the Informant

To page the Informant, simply type in the address of the Informant, i.e. "400" and then press "SEND." You will then be prompted for the message. Type in the message corresponding to the action that you want to occur, i.e. Type "1" for green, "2" for yellow, "3" for red. (See the Informant Operation Page for more details.) Then press "SEND" to send the message to the Informant.

2.3 CONFIGURATION

The MultiPage Transmitter has several programmable options. To access these options, simply press the "(" from the main screen. Then press the "(" or ")" brackets to move up or down the list of options. When you come to an option you would like to change, press "ENTER." Depending on the option, you can either press the "(" and ")" keys to change the value of the option, or you can use the numbers to type in the desired value. To return to the main options menu press "ENTER." When finished making changes, simply press the "SEND" key to save the changes or the "CANCEL" key to discard your changes. Each of the nine option areas are described in detail below.

Option 1

Transmitter Roll-Over Time

The "Roll-Over" time is the time that each number in the Transmitter memory shows on the LCD screen before rotating to the next number. For example, with the Transmitter Roll-Over Time set to three seconds, and the Transmitter with "123" and "456" in its memory, the Transmitter will show "123" for three seconds and then show "456" for three seconds and then back to "123." To change the Transmitter Roll-Over Time, simply use the "(" and ")" keys to select a time from 1 to 16 seconds. When the desired time is reached press "ENTER." To place into Hymn Mode, set the roll-over time to zero (0). See Section 2.4 Hymn Board Setup.

NOTE: The Transmitter Roll-Over Time is completely independent of the UHF Display Roll-Over Time.

Option 2

Auto Delete Time

The Auto Delete Time is the time that a number remains on the Display before it is automatically deleted. This time can be set using the "(" and ")" keys to select the desired value from 1 to 25 minutes. Once the desired value is reached, press "ENTER" to return to the main systems options menu.

NOTE: The Wireless UHF Display has an independent Auto Delete Time which is set following the instructions in the UHF Display Section.

The factory default for the UHF Display delete time is 45 minutes. The reason for having an auto delete time in the Display, as well as the MultiPage Transmitter, is best understood by the following example: At the end of the day, a user may unplug the Transmitter to turn it off. If there were numbers being shown on the Display before the power was unplugged from the Transmitter, the numbers would remain on the UHF Display until the Display's auto delete removed them.

Option 3 Re-Page Time for Vibrating Pagers

This is the time between re-pages for Vibrating Pagers. For example, if the re-page time is set to one minute, then the Vibrating Pagers will be re-paged every minute. Using the “(“ and “)” keys you can choose between 0 and 25 minutes for the re-page time. A re-page time of 0 disables re-paging. When the desired value is selected, press “**ENTER**” to return to the main options menu.

Option 4 Set Display ID Address

The options area is used to tell the MultiPage Transmitter the address of the UHF Display. The factory default is 1500. If you change this address, you will also have to set up the UHF Display to respond to your new address. (See Display Options.)

Option 5 Base ID

The Base ID is the digital identification in which all components of a system run. The factory default for this number is 0500000. This number may be changed to avoid “cross talk” with other nearby systems. If you change this ID number, then the UHF **Display, Informant** and **Vibrating Pager** settings will have to be changed accordingly. It is recommended that users **do not** change this setting.

NOTE: Pager Base ID can only be changed at the factory.

Option 6 Baud Rate

This is the rate at which the digital communications takes place in your system. It is recommended that users **do not** change this setting. If you change this number, the **Display, Informant**, and **Vibrating Pager** settings will have to be changed accordingly.

NOTE: Pager Baud Rate can only be changed at the factory.

Option 7 Out-of-Range

This feature is available only with coaster systems. When the out-of-range option is activated, the transmitter will periodically send a page telling everyone that they still are in range. If a coaster also has its out-of-range feature activated, it will sound an alert within 1 minute of leaving the transmitter’s coverage area.

Option 8 Behavior

The behavior option exists to accommodate those users who are more familiar with the DataPage Lite standard interface and do not need the display or re-paging capabilities of the MultiPage. The behavior setting can be toggled between “MultiPage” and “DataPage Lite.” In DataPage Lite mode, the re-page feature is disabled and the Transmitter will simply wait for a Pager number and then page a

Pager. The screen and button behavior will revert to the DataPage Lite operation.

Option 9 Informant ID

The option area is used to tell the MultiPage Transmitter the address of the Informant. The factory default is 0400. If you change this address, you will also have to set up the Informant to respond to your new address. (See Informant Options.) The MultiPage will treat this address uniquely in that it will not ask for a beep type and it will not re-page.

2.4 HYMN BOARD SETUP

To place the MultiPage transmitter into Hymn Mode, set the roll-over time to zero (0). **Note:** this will disable the auto delete and repage functions. This mode also changes the behavior of the “**ENTER**” and “**SPACE**” buttons when on the main screen. It is recommended that the roll-over time on the UHF display also be set to zero (0).

Hymn Mode displays a list of numbers in the order they are entered. Enter in a list of numbers to be stored by typing the number and pressing “**ENTER**”. The first number in the list will show on the MultiPage screen; the UHF Display will be unaffected. When ready to show the first number on the UHF display, press the “**ENTER**” key. The MultiPage will send the current number. To delete the current number and show the next number listed, simply press the space key. Repeat until all listed numbers have been displayed.



UHF DISPLAY SPECIFICATIONS

On-Premise Paging

Features

The UHF Displays are designed to work best with the Microframe MultiPage System. The Displays have two modes:

- 1) As a "Visual-Pager," the Display will store and rotate up to 20 numbers at a time. Numbers can be entered and deleted from the Display using the MultiPage Transmitter.
- 2) The Display can also be used as a "Pager Confirmation System." In this mode, the Display shows the number of every Vibrating Pager that has been paged.

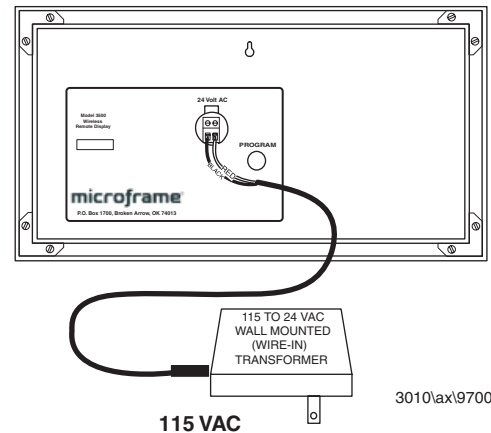
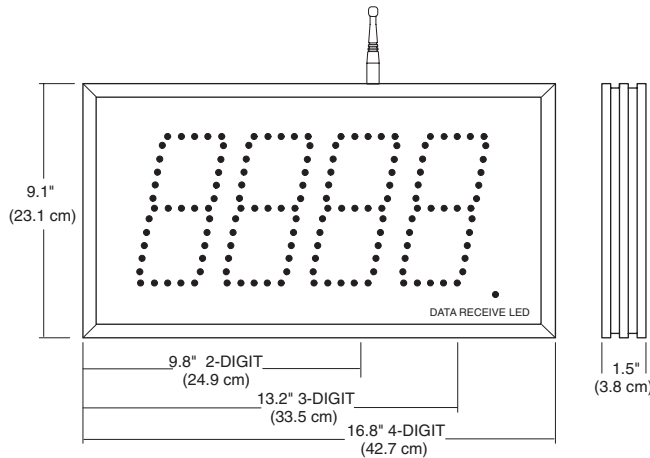


UHF Display

Operation

Mode 1) Using the MultiPage Transmitter, simply type in a number and press "**ENTER**" to send that number to the Display. To delete a number from the Display, simply press "**CANCEL**" then type the number followed by "**ENTER**."

Mode 2) The number of any Pager that is paged shows on the Display. No operator intervention is required.



UHF Display Specifications

Frequency	457.575 MHz
TX Baud Rate	512 or 1200 auto learning
Distance Range	1/4 to 1/2 Miles
Mounting	Wall Mount or Ceiling Mount
Character Height	5.5"
Viewing Distance	125 feet indoors
Power Supply	16 to 24 VAC
Weight	2-Digit, 2.5 Lbs (1.1 kg)
	3-Digit, 3 Lbs (1.4 kg)
	4-Digit, 3.5 Lbs (1.6 kg)
	6-Digit, 5.25 Lbs (2.4 kg)

Support and Sales
800-635-3811

Microframe® Corporation
www.microframecorp.com

PO Box 1700
Broken Arrow, OK 74013

3 WIRELESS UHF DISPLAY

3.1 INSTALLATION

Step 1:

Wire in the power adapter. To do this, simply place one wire from the adapter under one of the screwdown terminals and the other wire under the other screwdown terminal as shown on page 11. At this point, plug in the power adapter and check the Display for proper operation.

Step 2:

Hang the Display. The Display is hung on the wall like a picture frame on a nail or screw. Simply secure a nail or screw into the wall and line up the "key hole" in the back of the Display to hang the Display.

Optional Installation

For aesthetic reasons, you may wish to run the wire from the power adapter to the Display concealed in the wall. A person skilled in wiring should complete this task. The Display uses low voltage (24-volt) wiring and generally does not require conduit.

3.2 OPERATION

If you purchased this Display for use with a MultiPage Transmitter, you should be able to simply plug in the Display and then enter and delete numbers as specified in the "MultiPage Operation" section. If you are using this Display with another transmitter, please read "Using the Display with the DataPage Lite or the DataPage II" that's located on the following page.

3.3 CONFIGURATION

Under normal circumstances, you will not need to change the Display configuration. The Display configurations fall into two basic categories. The first is "Display Communication Settings," and the second is "Display Behavior Settings."

3.31 Display Communications Settings

The Display comes from the factory ready to communicate with a MultiPage Transmitter (Base ID 0500000, Baud Rate 512). The Display will intelligently communicate with other settings by doing the following:

Press the button on the back of the UHF Display one time. The Display will show vertical bars. Next, page Pager number 1 with a beep type of 2 and message 00. The Display should change to horizontal bars to signify that it has learned the Transmitter identity (Base ID and Baud Rate). If the Display does not receive a valid transmission within 90 seconds, it will show an **EE**.

3.32 Display Behavior Settings

The UHF Display's behavior can be changed by sending special codes to Pager 9999. All codes are indicated by the form XX_XX or XX_XXXX where "_" is a space. There are basically five settings that can be changed using the 9999 command as seen below.

3.33 Mode Settings

The UHF Display has two possible Modes: Mode 1 displays the messages sent to a specific Vibrating Pager, and Mode 2 displays all Pager numbers paged by the Transmitter.

Mode 1) To program the UHF Display to show all messages sent to Pager 300. Send a page to Pager 9999 with the message "00_0300."

NOTE: You must use the "SPACE" key to insert the space in the message between 00 and the Pager number. The Display will now show all messages sent to Pager 300.

Mode 2) To program the Display to show all pages sent by the Transmitter, send a page to Pager 9999 with the message "00_0000."

3.331 Roll-Over Time Setting

The Roll-Over Time is the time each number in the Display memory is shown before changing to the next number. This time can be set from 1 to 9 seconds. To set this time, send a page to Pager 9999 with the message "01_0X" where X is a number 1-9 representing the number of seconds.

3 WIRELESS UHF DISPLAY

3.332 Auto Delete Setting

The Display can be set to automatically delete a number from its memory after a preset time. **NOTE: If you have a MultiPage Transmitter, use the Transmitter's auto delete rather than the Display's auto delete time.** To set the auto delete time send a page to **Pager 9999** with the message "02_XX" where XX is a number from 1 to 42 representing the number of minutes to wait before auto deleting.

3.333 Chime Setting

If you have purchased an optional triac circuit, it can be activated every time a new number is sent to the Display. The duration of the triac output can be controlled by changing this option. To change this option, send a page to 9999 with the message "03_XX" where XX is a number from 00 to 99 representing the number of 0.1 second intervals that you want the output to be on (i.e. 99=9.9 seconds). Sending a 00 will cause the triac circuit to be disabled.

3.334 Clear All Numbers Command

There are occasions where you may want to clear all numbers from all Displays. To clear all numbers, send a page to Pager 9999 with the message "99_98."

3.335 Reset Factory Defaults

To change the Display settings back to factory defaults send a page to Pager 9999 with the message "99_99."

3.336 Using the UHF Display With A DataPage Lite or DataPage II

The Wireless UHF Display has been designed to work optimally with the MultiPage software developed by Microframe Corporation. However, in rare cases you may want to use the Display with a Transmitter other than the MultiPage. If so, you can control the Display's basic functions by sending pages to the Display's address with beep types and messages to control the function. Beep type "4" enters the number contained in the message into the Display. Beep Type "3" removes the number contained in the message from the Display.



INFORMANT SPECIFICATIONS

On-Premise Paging

Features

The Informant is a wireless signal light system designed to work with the MultiPage and Scope DataPage family of transmitters. It is over-the-air programmable to "auto learn" its base ID and baud rate.

Operation

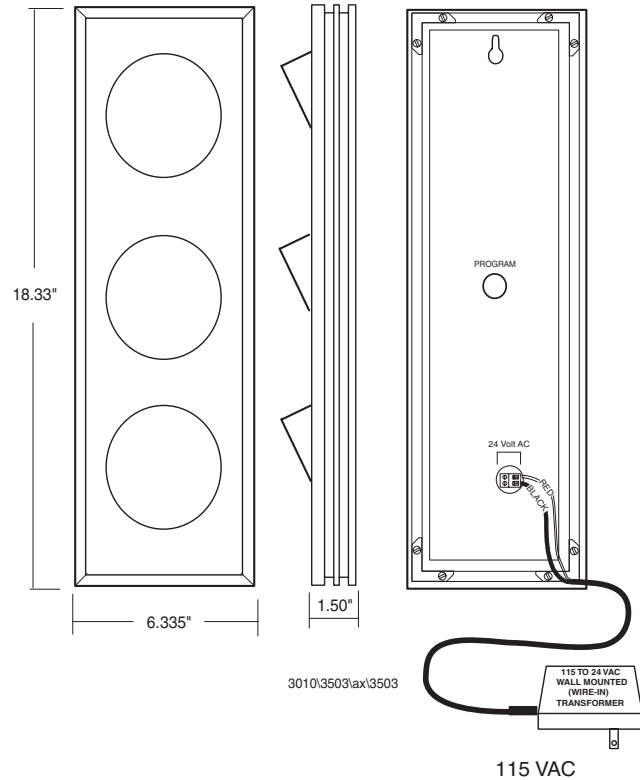
To send a command to the Informant, simply page the Pager number you have assigned to the Informant with a message (command) from the table below.

The command structure for the Informant is as follows: The first number is the light or sequence of lights that will be shown. The second "optional" digit is the blink rate or "rate of change" for the sequence.



The Informant

Digit of Message	Description	Digit 2 Flash Rate
0	Turn Off Lights	
1	Green Light	1-9
2	Yellow Light	1-9
3	Red Light	1-9
4	Alternate Yellow-Green	1-9
5	Alternate Red-Yellow	1-9
6	Alternate Red-Green	1-9
7	Rotate Red-Yellow-Green	1-9
8	Rotate Green-Yellow-Red	1-9



3010/3503/ax/3503

115 VAC

Informant Specifications

Frequency Range	457.575 MHz
TX Baud Rate	512 /1200 (auto learn)
Distance Range	1/4 to 1/2 Mile Indoors
Mounting	Wall Mounted
Power	Supplied AC adapter
Viewing Distance	200 ft. depending on lighting
Weight	2.75 lbs.
Mounting	Hang on Wall

Support and Sales
800-635-3811

Microframe® Corporation
www.microframecorp.com

PO Box 1700
Broken Arrow, OK 74013

4 INFORMANT

4.1 INSTALLATION

Step 1:

Wire in the power adapter and test. To do this, simply place one wire from the adapter under one of the screwdown terminals and the other wire under the other screwdown terminal as shown on page 14. At this point, plug the power adapter into an AC outlet.

If you have a factory programmed MultiPage Transmitter, send a page to Pager 400 with a message 1. The green light should come on. If the system works, unplug the power adapter and proceed to Step 2.

Step 2:

Place the Informant: The Informant can be placed on a shelf or hung on the wall like a picture. To hang the Informant, simply secure a nail or a screw in the wall at the desired location and then hang the Informant on the nail using the “key hole” in the back of the Display.

4.2 OPERATION

The Informant ships from the factory to work with the MultiPage Transmitter as Pager #400. To control the Informant, simply send a page to the Pager number with a message corresponding to the action that you would like to see. A table outlining actions and messages follows. The first digit of the message is the action and the second digit is the multiplier for the duration of the blink or the timing between lights. The second digit can be left blank.

For example, to turn on the red light simply page Pager #400 with a message 3.

4.3 CONFIGURATION

To set the configuration of the Informant to work with any base ID, baud rate and Pager number, simply push the program button on the back of the Informant. The Informant will light all three lights and wait 90 seconds for a valid transmission. When all three lights are on, page the Pager number that you would like the Informant to become with a beep type of 2 and a message of 00. If the Informant correctly receives the transmission, it will turn on the green light.

Digit of Message	Description	Digit 2 Flash Rate
0	Turn Off Lights	
1	Green Light	1-9
2	Yellow Light	1-9
3	Red Light	1-9
4	Alternate Yellow-Green	1-9
5	Alternate Red-Yellow	1-9
6	Alternate Red-Green	1-9
7	Rotate Red-Yellow-Green	1-9
8	Rotate Green-Yellow-Red	1-9



POCKET PAGER SPECIFICATIONS

On-Premise Paging

Features

The Scope Pocket Pager is designed to work with the MultiPage or DataPage family of on-premise transmitters.

The pager can show unlimited numeric messages sent by the transmitter. Optionally, the pager can show up to three factory pre-programmed text messages corresponding to the beep type specified.



Pocket Pager

Pocket Pager Specifications

Distance Range	1/4 to 1/2 mile
Power	Requires one AAA battery (included)
Size.....	2.5 x 1.5 (1.75 with holster)

Support and Sales
800-635-3811

Microframe® Corporation
www.microframecorp.com

PO Box 1700
 Broken Arrow, OK 74013

5 POCKET PAGER

5.1 TURNING ON THE PAGER

Hold down the LARGE GRAY BUTTON until the Pager comes on.

5.2 SENDING A PAGE

Please see the diagram in the MultiPage section of this manual for detailed instructions on sending pages.

5.3 ACTIVATING AN ALPHA MESSAGE

To activate a pre-defined message to a Vibrating Pager, type in the Pager number followed by the "SEND" key. You will be prompted for a "BEEP TYPE (1-4)." Select 1-3 here and press the "SEND" key. This will display on the Pager one of the three pre-programmed text messages stored in the Pager. If no number is chosen, the Pager will default to Beep Type 4 ("PAGING").

5.4 SENDING A NUMERIC MESSAGE

To send a numeric message to a Pager, simply type in the Pager number followed by the "SEND" key. The Transmitter screen will display "BEEP TYPE." Simply press "ENTER" to bypass this. The Transmitter screen will then display "ENTER MESSAGE." Using the number keys, type in a numeric message up to 16 digits followed by the "SEND" key. Note: If the message portion of a page is not blank the "BEEP TYPE" alpha message selected will be ignored.

5.5 RECEIVING A PAGE

The Pocket Pager will start to vibrate when it is paged. No action is necessary on the receiving end. The Pager will stop vibrating after approximately eight seconds. If the user would like to stop the vibration before the eight seconds, simply press the LARGE GRAY BUTTON. If a numeric message is sent to the Pager, the message will be visible on the Pager's LCD screen until the Pager stops vibrating. To view the message after the Pager has stopped vibrating, press the LARGE GRAY BUTTON once.

5.6 SENDING A GROUP CALL PAGE

All Pagers respond to call number "900" (unless another group call number has been

chosen by the customer and programmed at the factory). To page all Pagers at once, simply enter "900" and "SEND." Then press "SEND" again at the beep type prompt.

5.7 MANUAL PAGER TURN-OFF

Press the DOWN ARROW BUTTON four times. The words "PGR OFF" will appear on the LCD screen. Press the LARGE GRAY BUTTON once to confirm. NOTE: If you have chosen to order the Pagers with the on/off button disabled, then Pagers can only be turned off from the Transmitter.

5.8 PAGER TURN-OFF FROM BASE

Enter the pager number followed by the "SEND" key.

Press "ENTER" to bypass "BEEP TYPE" screen. When screen reads "ENTER MESSAGE," enter the message code "(0091)(0)" followed by "SEND." **NOTE: In order for the code to work, the parentheses must be entered.**

Since all Pagers respond to call number "900," paging "900" with the message code "(0091)(0)" will turn all Pagers off.

5.9 POWER CHECKING

When the battery level is low, a low-battery symbol will appear at the bottom of the Pager screen.

5.10 LIGHTING FUNCTION

Pressing the UP ARROW BUTTON for two seconds will turn on the backlight on the LCD screen. The light will shut off automatically after approximately 10 seconds, or the user may turn the light off manually by pressing the UP ARROW BUTTON once.

5.11 CAUTION

- a) The Pager is made up of LCD and precision elements. Avoid water and high temperature.
- b) Remove the battery if the Pager will not be in use for a long period of time.
- c) If the Pager is not working properly, do not dismantle or repair it yourself. Call Microframe for technical service.



NEXUS PAGER SPECIFICATIONS

On-Premise Paging

Features

The Nexus Pager is designed to work with the MultiPage or DataPage family of on-premise transmitters.

The rechargeable pager can show unlimited numeric messages sent by the transmitter. Optionally, the pager can show up to three factory pre-programmed text messages corresponding to the beep type specified.



Nexus Pager

Nexus Pager Specifications

Distance Range	1/4 to 1/2 mile
Power	Rechargeable
Size.....	3.5" x 2.25" x .6875"

Support and Sales
800-635-3811

Microframe® Corporation
www.microframecorp.com

PO Box 1700
Broken Arrow, OK 74013

6 NEXUS PAGER

6.1 TURNING ON THE PAGER

Hold down the RED BUTTON on the side until the pager comes on.

6.2 SENDING A PAGE

Please see the diagram in the MultiPage section of this manual for detailed instructions on sending pages.

6.3 ACTIVATING AN ALPHA MESSAGE

To activate a pre-defined message to a Vibrating Pager, type in the Pager number followed by the "SEND" key. You will be prompted for a "BEEP TYPE (1-4)." Select 1-3 here and press the "SEND" key. This will display on the Pager one of the three pre-programmed text messages stored in the Pager. If no number is chosen, the Pager will default to Beep Type 4 ("PAGING").

6.4 SENDING A NUMERIC MESSAGE

To send a numeric message to a Pager, simply type in the Pager number followed by the "SEND" key. The Transmitter screen will display "BEEP TYPE." Simply press "ENTER" to bypass this. The Transmitter screen will then display "ENTER MESSAGE." Using the number keys, type in a numeric message up to 16 digits followed by the "SEND" key. Note: If the message portion of a page is not blank the "BEEP TYPE" alpha message selected will be ignored.

6.5 RECEIVING A PAGE

The Pager will start to vibrate when it is paged. No action is necessary on the receiving end. The Pager will stop vibrating after approximately eight seconds. If the user would like to stop the vibration before the eight seconds, simply press the RED BUTTON on the side of the pager. If a numeric message is sent to the Pager, the message will be visible on the Pager's LCD screen until the pager stops vibrating. To view the message after the pager has stopped vibrating, press the RED BUTTON once.

6.6 SENDING A GROUP CALL PAGE

All pagers respond to call number "900" (unless another group call number has been chosen by the customer and programmed at

the factory). To page all pagers at once, simply enter "900" and "SEND." Then press "SEND" again at the beep type prompt.

6.7 MANUAL PAGER TURN-OFF

Press the RED BUTTON on the side of the pager for 5 seconds or place pager on the charging base.

6.8 LIGHTING FUNCTION

Press the RED BUTTON on the side of pager.

6.9 CHANGING THE ALERT MODE

Pagers may be programmed to respond to a page by flashing lights, flashing and beeping, flashing and vibrating, or flashing, vibrating and beeping. By default, the pagers are programmed to flash and vibrate for 8 seconds.

To change the alert mode, follow these instructions: Remove all the pagers from the charging unit or unplug the power supply that is connected to the charging base. Wait for the demo page to stop (about 7 seconds). Press "900" followed by "ENTER." For the message, enter the code that corresponds to the alert that you want. (See below.) For example, if you want the pagers to Flash only, press "900-ENTER-9797-SEND." After sending the code, the lights on all the pagers will flash to indicate the programming was received. Return all the pagers to the charging base or plug the power supply back in. The pagers are ready to receive the page with the new alert.

Flash & Beep	"9595"
Flash & Vibrate	"9696"
Flash Only	"9797"
Flash, Vibrate & Beep	"9898"

6.10 CAUTION

- The pager is made up of LCD and precision elements. Avoid water and high temperature.
- If the pager is not working properly, do not dismantle or repair it yourself. Call Microframe for technical service.



SLIMLINE PAGER SPECIFICATIONS

On-Premise Paging

Features

The SlimLine Pager is designed to work with the MultiPage or DataPage family of on-premise transmitters.

The rechargeable pager has vibrate only and LED alert capability.



SlimLine Pager

SlimLine Pager Specifications

Distance Range	1/4 to 1/2 mile
Power	Rechargeable
Size.....	5" x 2.125" x .625"

Support and Sales
800-635-3811

Microframe® Corporation
www.microframecorp.com

PO Box 1700
Broken Arrow, OK 74013

7 SLIMLINE PAGER

7.1 SENDING A PAGE

Please see the diagram in the MultiPage section of this manual for detailed instructions on sending pages.

7.2 SENDING A GROUP CALL PAGE

All pagers respond to call number "900" (unless another group call number has been chosen by the customer and programmed at the factory). To page all pagers at once, simply enter "900" and "**SEND.**" Then press "**SEND**" again at the beep type prompt.

7.3 CHANGING THE ALERT MODE

Pagers may be programmed to respond to a page by vibrating, flashing lights, flashing and vibrating. By default, the pagers are programmed to flash and vibrate for 3 minutes.

To change the alert mode, follow these instructions: Remove all the pagers from the charging unit or unplug the power supply that is connected to the charging base. Wait for the demo page to stop (about 7 seconds). Press "900" followed by "ENTER." For the message, enter the code that corresponds to the alert that you want. (See below.) For example, if you want the pagers to Flash only, press "900-ENTER-9797-SEND." After sending the code, the lights on all the pagers will flash to indicate the programming was received. Return all the pagers to the charging base or plug the power supply back in. The pagers are ready to receive the page with the new alert.

Vibrate Only	"9292"
Flash & Vibrate	"9696"
Flash Only	"9797"



AFFINITY PAGER SPECIFICATIONS

On-Premise Paging

Features

The Affinity Pager is designed to work with the MultiPage or DataPage family of on-premise transmitters.

The rechargeable vibrating pager has illuminating lights, vibrate and tone alert options for personalization.



Affinity Pager

Affinity Pager Specifications

Distance Range	1/4 to 1/2 mile
Power	Rechargeable
Size.....	3" x 2.25" x .6875"

Support and Sales
800-635-3811

Microframe® Corporation
www.microframecorp.com

PO Box 1700
 Broken Arrow, OK 74013

8 AFFINITY PAGER

8.1 SENDING A PAGE

Please see the diagram in the MultiPage section of this manual for detailed instructions on sending pages.

8.2 SENDING A GROUP CALL PAGE

All pagers respond to call number "900" (unless another group call number has been chosen by the customer and programmed at the factory). To page all pagers at once, simply enter "900" and **"SEND."** Then press **"SEND"** again at the beep type prompt.

8.4 CHANGING THE ALERT MODE

Pagers may be programmed to respond to a page by vibrating, flashing lights, flashing and beeping, flashing and vibrating, or flashing, vibrating and beeping. By default, the pagers are programmed to flash and vibrate for 8 seconds.

To change the alert mode, follow these instructions: Remove all the pagers from the charging unit or unplug the power supply that is connected to the charging base. Wait for the demo page to stop (about 7 seconds). Press "900" followed by "ENTER." For the message, enter the code that corresponds to the alert that you want. (See below.) For example, if you want the pagers to Flash only, press "900-ENTER-9797-SEND." After sending the code, the lights on all the pagers will flash to indicate the programming was received. Return all the pagers to the charging base or plug the power supply back in. The pagers are ready to receive the page with the new alert.

Vibrate Only	"9292"
Flash & Beep	"9595"
Flash & Vibrate	"9696"
Flash Only	"9797"
Flash, Vibrate & Beep	"9898"



Microframe Corporation
604 S. 12th Street
Broken Arrow, OK 74012

Tel: (918) 258-4839
Toll Free: 1-800-635-3811
Website: www.microframecorp.com
E-mail: support@microframecorp.com