



MODEL 920, 930, 940 SPECS

Remote Display

Features

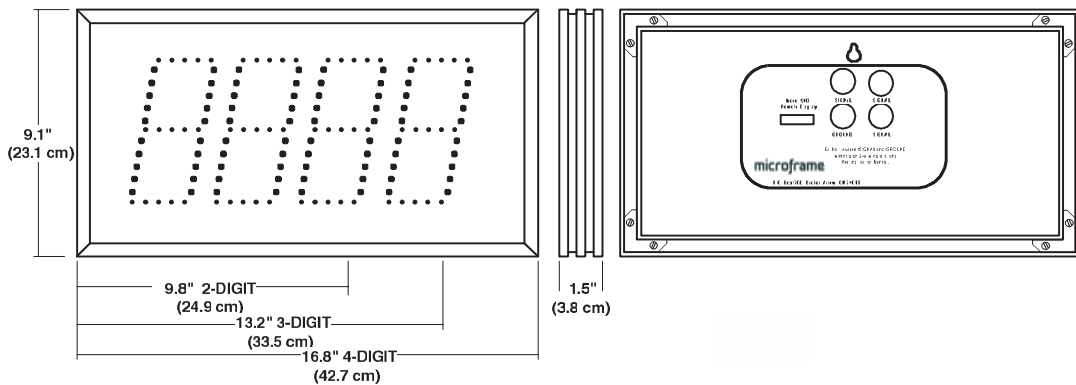
Each Display has 5.5 inch tall digits viewable from up to 125 feet and is encased in an aluminum extruded cabinet.

Operation

The 920, 930, and 940 Remote Displays are designed to operate with the Model 910 Keypad or Model 6200 Timer Keypad. The Remote Display receives power and signal from a single cable connected to the Keypad and is turned on or off with the Keypad power switch.



Microframe® Model 940 Display



Model 920, 930, 940 Specifications

Remote Display	Wall mount red LED display
Power Input Requirements	Powered by Keypad
Character Height	5.5 inches (14 cm)
Character Viewing Distance	125 feet in indoor light
Case	Aluminum case with Plexiglas faceplate
Weight	2-digit, 2.5 lbs (1.1 kg), 3-digit, 3 lbs (1.4 kg)
.....	4-digit, 3.5 lbs (1.6 kg)

Sales and Support
1-800-635-3811

Microframe® Corporation
 P.O. Box 1700
 Broken Arrow, OK 74013
www.microframecorp.com