



MODEL 906 SPECIFICATIONS

Keypad

Features

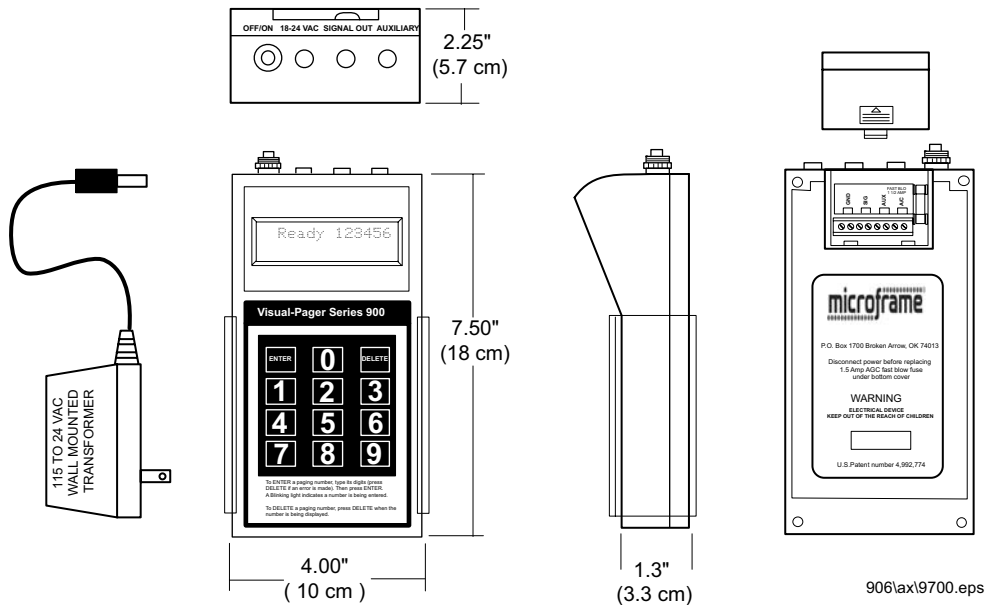
The Model 906 Keypad is designed to operate with the 920, 930, 940, or 960 Displays. Each Display has 5.5 inch tall digits viewable from up to 125 feet and is encased in an aluminum extruded cabinet.

Operation

Upon entering a number into the Keypad, the number is sent immediately to the Display. The Keypad will store up to twenty-six 6-digit numbers and display them sequentially until the operator deletes them.



Microframe® Model 906 Keypad



Model 906 Specifications

Local Keypad Display	Built-in LCD Readout
Maximum Number of Digits	Six Digits
Maximum Number of Keypads	Up to 32 Keypads
Maximum Numbers Stored	Twenty-Six 6-Digit Numbers
Power Input Requirements	24VAC 1.2A supplied by transformer which requires 115 Volts AC @ .72 Amps
Fuse Requirements	1.5 Amp GMA (5mm x 20mm) fast-acting fuse
Weight75 lb (.4 kg), with transformer 2.25 lb (1.0 kg)

Support and Sales
800-635-3811

Microframe® Corporation
www.microframecorp.com

P.O. Box 1700
 Broken Arrow, OK 74013