



MODEL 904 SPECIFICATIONS

Keypad

Features

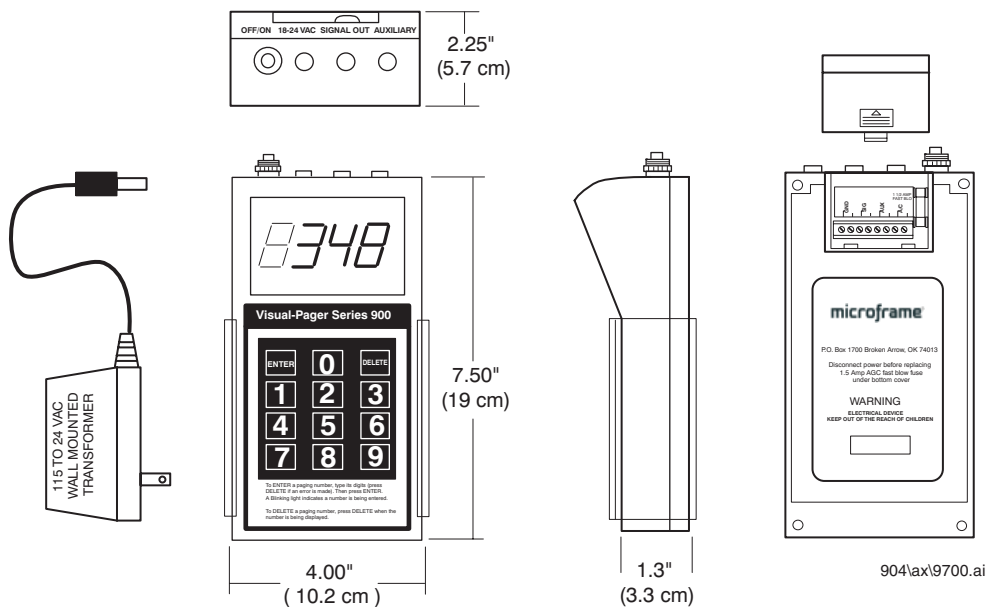
The Model 904 Keypad is designed to operate with the 920, 930, or 940 Displays. The Keypad accepts up to four digit numbers. User options include Variable Rollover Time, Automatic Delete, and Manual Advance.

Operation

Once a number is entered into the Keypad, the number is sent immediately to the Display. The Keypad will store up to 30 four-digit numbers and display them sequentially until the operator deletes them.



Microframe® Model 904 Keypad



Model 904 Specifications

Local Keypad Display	Built-in LED Readout
Maximum Number of Digits	Four Digits
Maximum Number of Keypads	Up to 32 Keypads
Maximum Numbers Stored	30 Four-Digit numbers
Power Input Requirements	24VAC 1.2A supplied by transformer which requires 115 Volts AC @ .72 Amps.
Fuse Requirements	1.5 Amp GMA (5mm x 20mm) fast-acting fuse
Weight075 lb (0.4 kg) with transformer 2.25 lb (1.0 kg)

Support and Sales

800-635-3811

Microframe® Corporation
www.microframecorp.com

P.O. Box 1700
Broken Arrow, OK 74013