



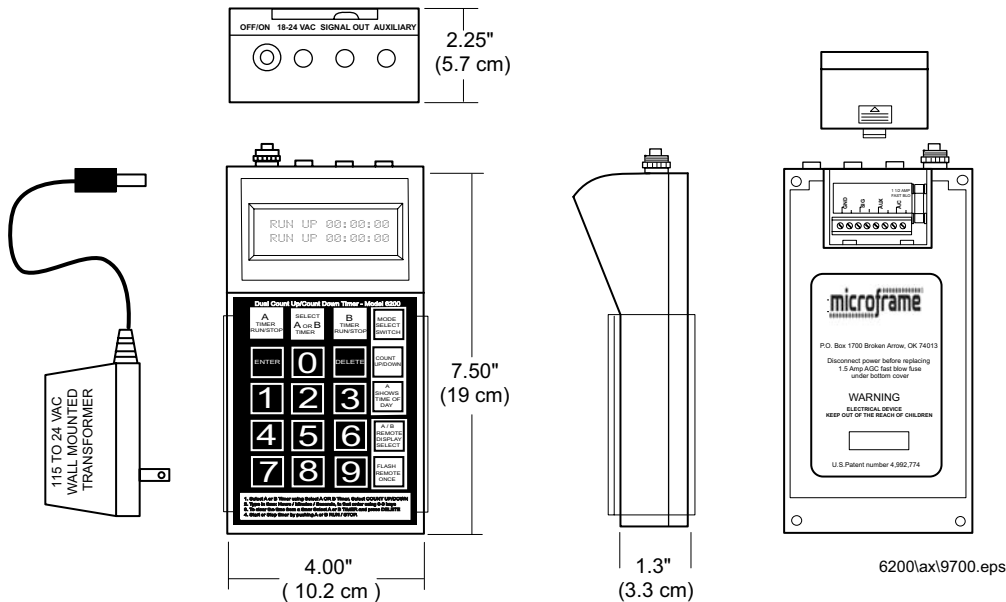
# MODEL 6200 TIMER KEYPAD SPECS

## Features

The Model 6200 Keypad is designed to operate with the Model 920, 930, 940, 960 and 9620 Displays. Each Display has 5.5 inch tall digits viewable up to 125 feet, with the exception of the 9620 featuring 2.5 inch tall digits that are viewable up to 75 feet. Each Display is encased in an aluminum extruded cabinet.



**Microframe® Model 6200 Keypad**



## Model 6200 Keypad Specifications

Local Keypad Display .....	Built-in LCD readout
Remote Display Options .....	Model 920 (2-Digit), Model 930 (3-Digit), Model 940 (4-Digit), Model 960 (6-Digit), and Model 9620 (dual 6-Digit)
Power Input Requirements .....	24VAC 1.2A supplied by transformer which requires 115 Volts AC @ .72 Amps
Fuse Requirements .....	1.5 Amp GMA (5mm x 20mm) fast-acting fuse
Weight .....	.75 lb (.4 kg) with transformer 2.25 lb (1.0 kg)

**Support and Sales**  
**800-635-3811**

Microframe® Corporation  
www.microframecorp.com

P.O. Box 1700  
Broken Arrow, OK 74013