



MODEL 9620 SPECIFICATIONS

Remote Display

Features

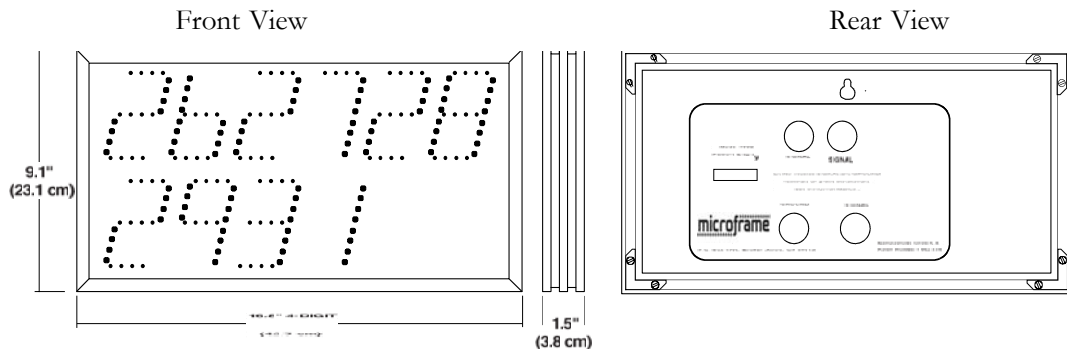
The Model 9620 Display is designed to work with the Timer Keypad. The Display has 2.5 inch tall digits viewable up to 75 feet and is encased in an aluminum extruded cabinet.

Operation

The Model 9620 Remote Display is designed to operate with the Microframe Model 6200 Keypad. The signal and power is received from a single cable connected to the Model 6200 Keypad. Up to four Displays may be connected directly to the Model 6200 Keypad. Optional ceiling mounts are available in a single, double or triple cluster for easy mounting in the center of or around the peripheral of a large retail area. This Display can be used to show hours minutes and seconds from both timers on the 6200 Keypad.



Microframe® Model 9620 Display



Model 9620 Specifications

Remote Display	Wall mount 2.5" LED Display
Maximum Distance From Keypad	2,000 Feet = 1 Display
	200 Feet = Full Load of Displays Using 16 AWG Paired Wire
Power Input Requirements	Power supplied by Keypad
Maximum Number of Displays without a Booster Amp	Up to four 6-Digit Displays
Character Height	5.5 inch (14 cm)
Character Viewing Distance	75 feet (46 meters)
Weight	3.5 Pounds

Support and Sales
800-635-3811

Microframe® Corporation
www.microframecorp.com

P.O. Box 1700
Broken Arrow, OK 74013