

Model 3620 Specifications



Wireless UHF Display

DISPLAY FEATURES	
Mounting	Wall Mount
Character Size	2.5-inch (6.4 cm)
Display Width	16.8 inches
Display Height	9.1 inches
Weight	3.5 lbs (1.6 kg)
Maximum Distance from Transmitter	1/4 to 1/2 mile typical, 1 mile maximum
Flashing Numbers	Available
Power Requirements	24 VAC 1.2A Supplied by adapter which requires 115 Volts AC @ .72 Amps
Number Capacity	Forty 2-digit numbers
Viewing Distance	80 feet
Baud Rate	1200
SUPPLIED ACCESSORIES	
	24 VAC 1.2A Adapter, Wireless Antenna

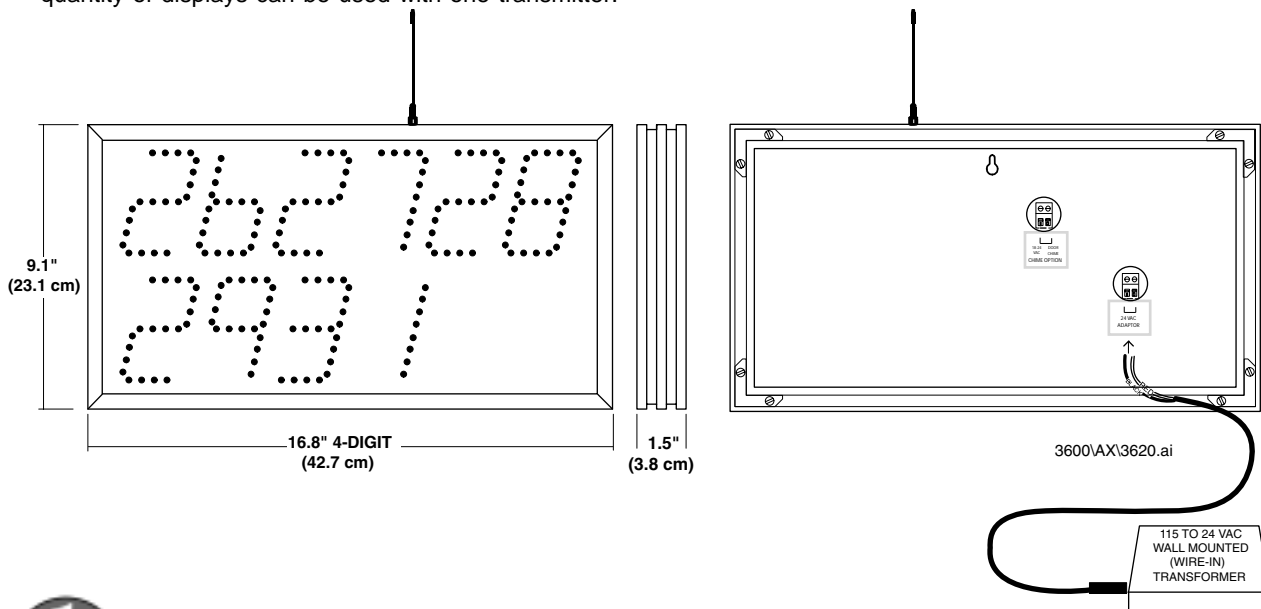


Features

The Model 3620 Wireless UHF Display is designed to show up to six 2-digit numbers at a time. It also has the ability to flash the numbers after a set period of time. The display has 2.5-inch tall digits viewable up to 80 feet and is encased in an aluminum extruded case. Optional ceiling mounts are available in a single, double, or triple cluster for easy mounting in the center of or around the peripheral of a large retail area. Outdoor displays are also available with sunlight brightness for easy viewing.

Operation

The Model 3620 Wireless UHF Display is designed to operate with the Microframe Model 3610 Transmitter. An unlimited quantity of displays can be used with one transmitter.



115 VAC
Support and Sales
800-635-3811

